

R314

Electronic faucet

The R314 electronic faucet with infrared detection is designed for deck-mounted installation. It's ideal for bathrooms with deep sinks thanks to its 176mm spout.



References	Power supply	Finish
R314-S_SEC	Mains	Brushed stainless steel
R314-B_SEC	Mains	Polished stainless steel
R314-N_SEC	Mains	Matte-black
R314-S_BAT	Battery	Brushed stainless steel
R314-B_BAT	Battery	Polished stainless steel
R314-N_BAT	Battery	Matte-black

Characteristics

Finishes	Brushed stainless steel (S) / Polished stainless steel (B) / Matte-black (N)
Dimensions	Ø38 x H196mm x L214mm
Min/Max water inlet pressure	0.5–8 bars
Debit	3L/min (possibility of 1.3L/min, 1.89L/min or 6L/min)
Aerator	PCA spray (1.3L/min, 1.89L/min, 3L/min) - jet spray SSR PCA Stream (6L/min) - cascade jet
Detection zone	Preset 220mm (adjustable with remote control)
Mini detection	80mm
Maxi detection	300mm
Safety stop	90 seconds (possibility of reducing the duration - adjustable with remote control)
Water inlet	1 inlet for cold or pre-mixed water
Maximum temperature	70°C
Periodic rinsing	24 hours after last use (bacterial anti-proliferation)
Power supply	Dual-power IP67 enclosure including solenoid valve 9V adapter (_SEC) – 5M cable length IP67 battery enclosure (_BAT) – battery included – 1 x 9V battery
Cable length at the tap outlet	0.35M (connecting the tap and the dual-power IP67 box including the solenoid valve)
Flexible length	0.45M (connecting the tap and the dual-power IP67 box including the solenoid valve)
Warranty	10 years

Optional accessories

RSP06001001	Power divider with 2 outputs
RSP06001002	Power divider with 3 outputs
RSP06009016	1 meter male-female extension electric cable
RSP06009021	3 meter male-female extension electric cable
RSP07100005	Remote control for electronic faucets
RSP06530013	230/12V junction box to power up to 10 taps
RSP06000084	Output cable for junction box female end

Installation info

Cutout

The R314 is designed to be installed on a deck with a maximum thickness of 30mm. Drill a 30mm diameter hole and a 4mm diameter hole on the right side for the anti-rotation lug. Refer to the technical drawings for exact dimensions.

Water inlet

Run water to flush the pipes and clean them of any dirt before installing the faucet.

Sanitary planning

To avoid reflection problems, do not install the sensor directly opposite other faucet/soap dispenser sensors, other infrared devices, or a reflective surface. The choice of other accessories should also be taken into consideration, such as the finish of the drain, which can reflect light and interfere with the sensor. Particular care should also be taken when positioning the light in the room, particularly with downward-facing appliance sensors. A minimum distance of 300 mm should be maintained between the sensor and the bottom of the sink.

Maintenance

For optimum care of duten faucets, use a soft cotton cloth and dampen it if necessary. Never use products containing hydrochloric acid, formic acid, acetic acid or bleaching products containing chlorine. Never use abrasive products or tools (scouring liquid, scouring sponge, abrasive dishwashing sponge, stainless steel ball, etc.).

Certifications

ACS
CE
WRAS
UPC
WaterMark

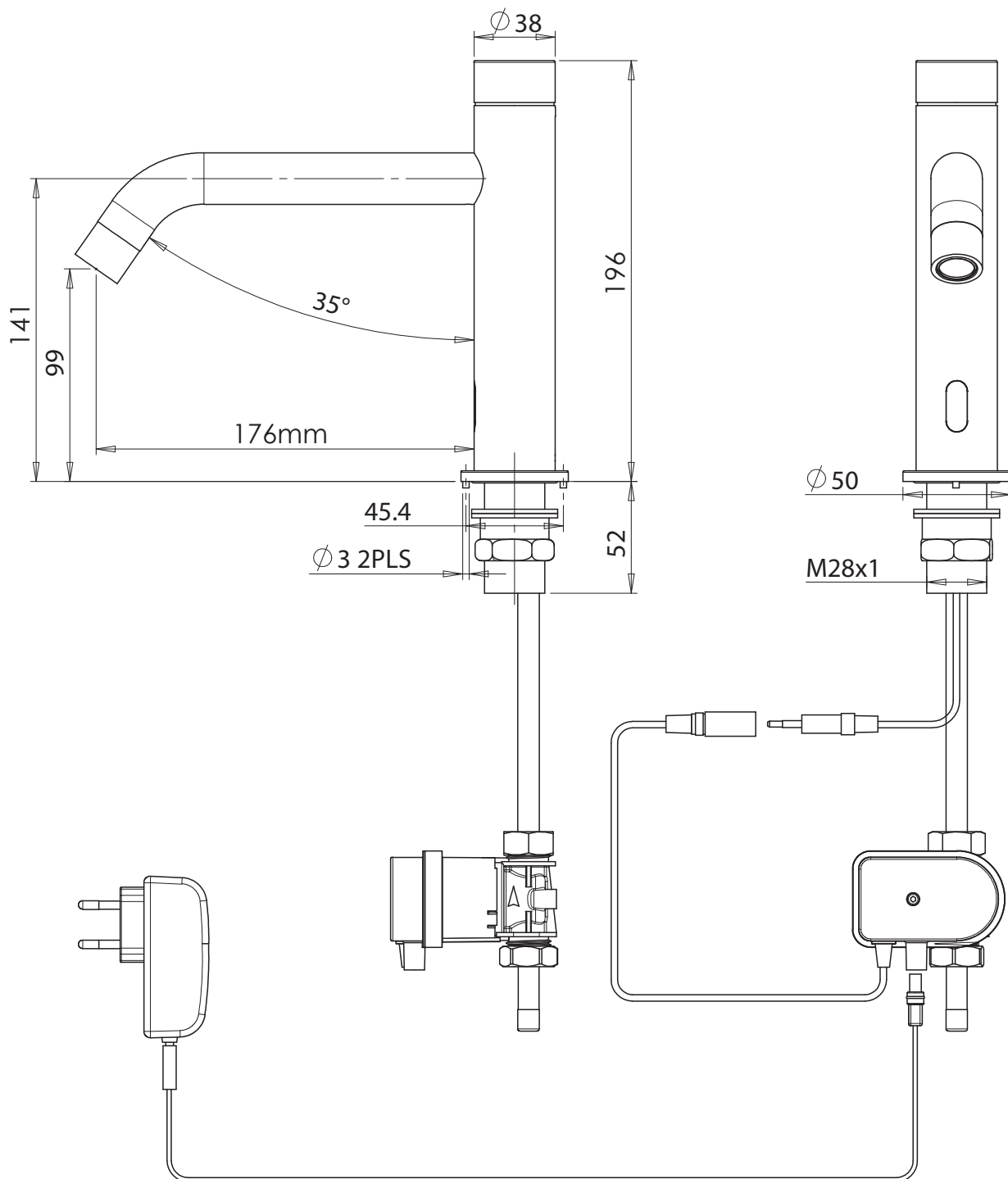
Related products

Soap dispenser	S255
----------------	------

Related documents

Installation manuel	contact@duten.fr
Certifications	contact@duten.fr

Technical diagram - mains version



Technical diagram - battery version

