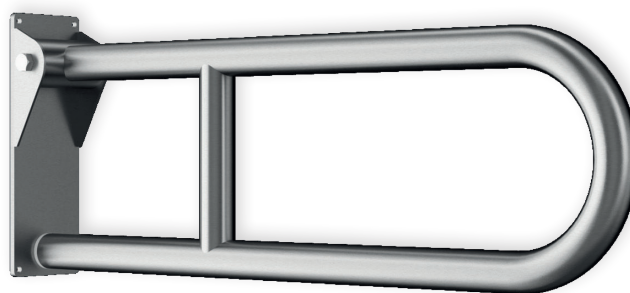


B660

Lift-up grab bar

The lift-up grab bar is available in three finishes to choose from. Suitable for intensive use in community or hospital.



References

Finish

B660-S	Brushed stainless steel
B660-B	Polished stainless steel
B660-W	White steel

Characteristics

Finishes	Brushed stainless steel (S) / Polished stainless steel (B) / White steel (W)
Dimensions	Ø32 x 600mm
Fixing points	1 plate with 4 anchor points
Maximum charge	150kg
Fixations supplied	No (to the installer to choose according to the material of the support)
Warranty	25 years

Optional accessories

No optional accessories.

Installation info

Installation

Grab bars must be secured to a suitable wall substrate for proper use. Duten recommends that installers contact a fixing specialist to ensure the correct fixings are used for the material.

Maintenance

For optimum care of the grab bars, use a soft cotton cloth and dampen it if necessary. Never use products containing hydrochloric acid, formic acid, acetic acid or bleaching products containing chlorine. Never use abrasive products or tools (scouring liquid, scouring sponge, abrasive dishwashing sponge, stainless steel ball, etc.).

Certifications

CE

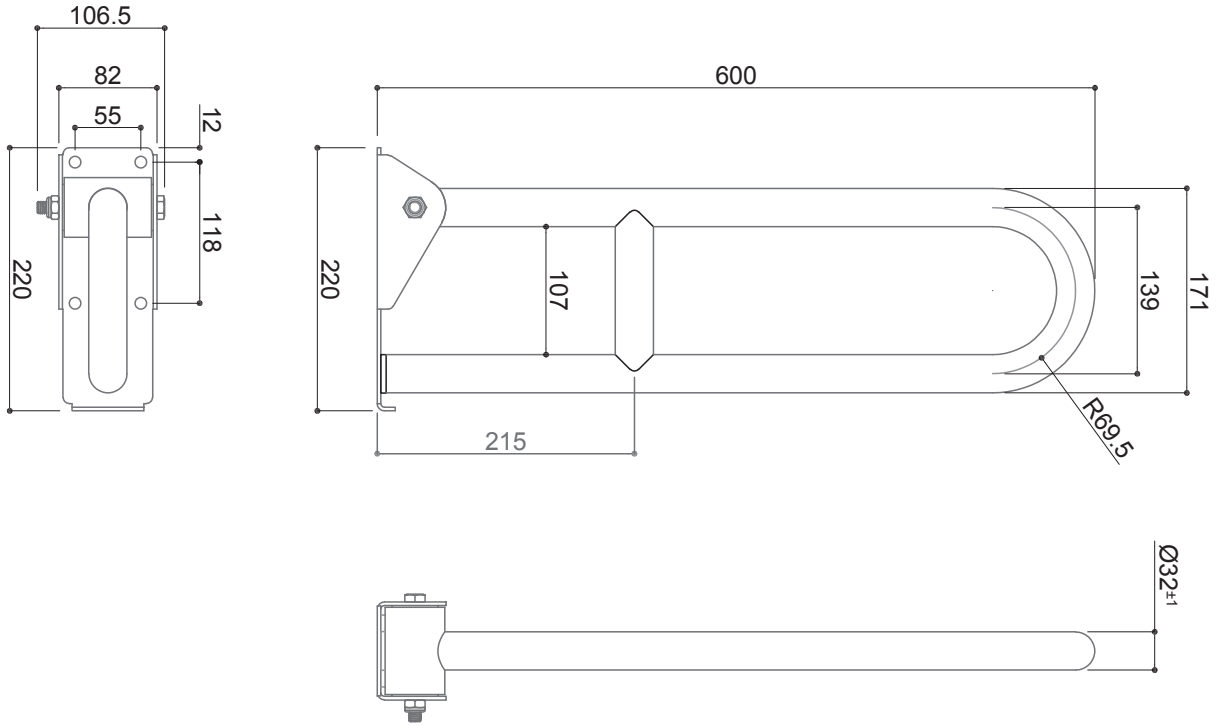
Related products

Toilet paper dispenser jumbo 400M	H140
Toilet brush holder and brush set	A850

Related documents

Installation manuel	contact@dufen.fr
Certifications	contact@dufen.fr

Technical diagram - B660-S / B660-B



Technical diagram - B660-W

